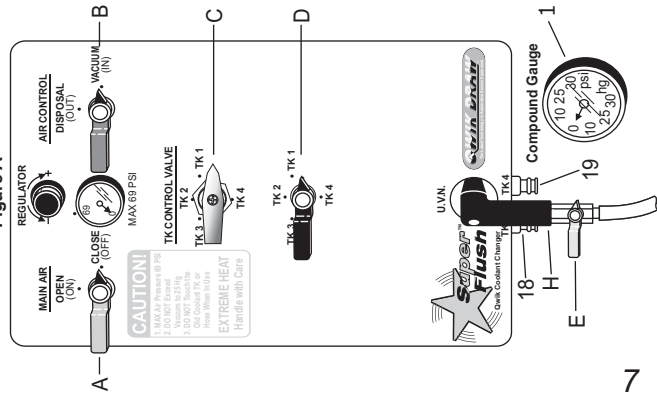
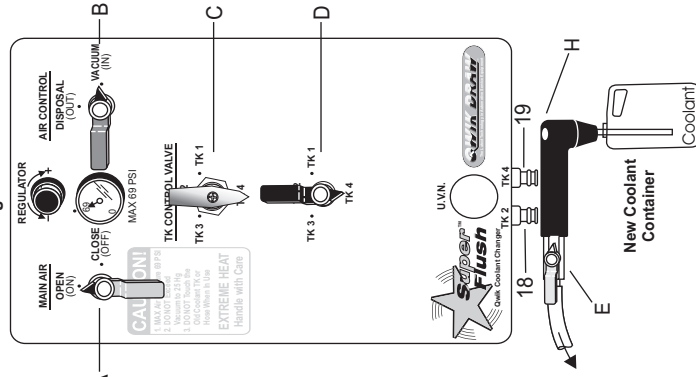


SUPER FLUSH™ QUICK STEP CONTROL DIAGRAMS

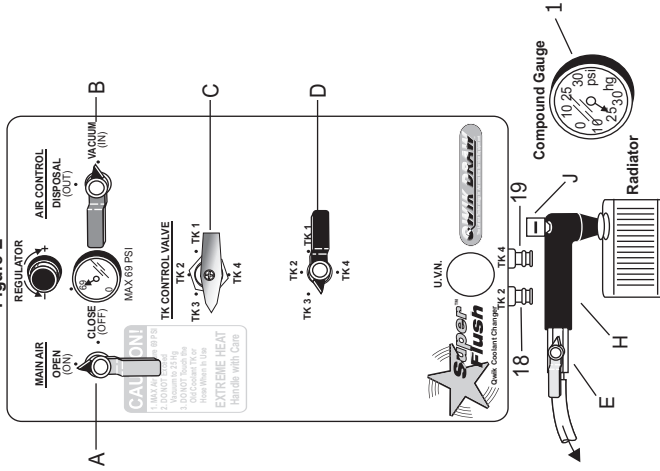
Non-Operating
Figure A



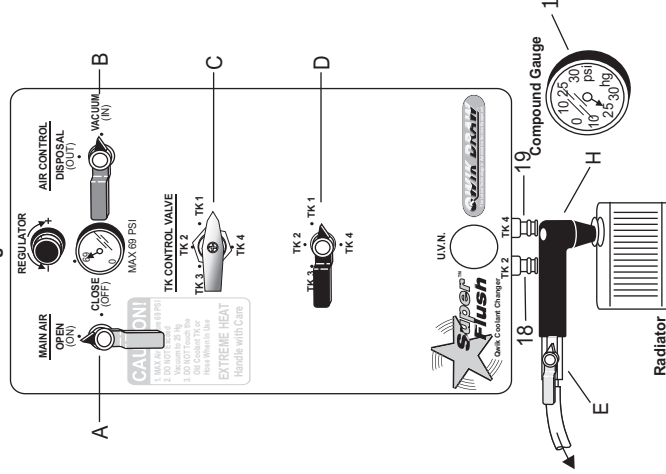
Extracting New Coolant To Tank 4
Figure B



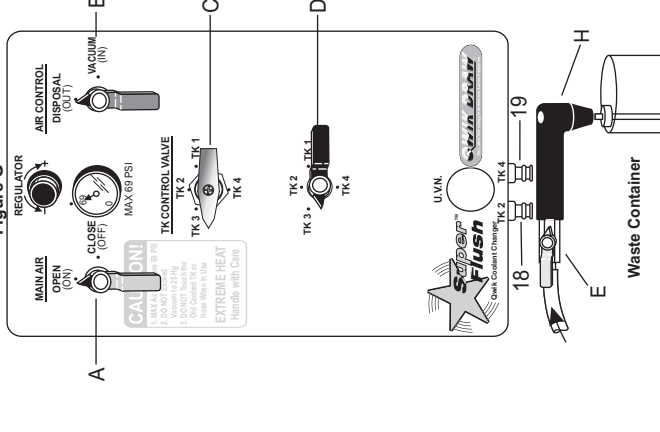
Extract Water & Cleaning Agent to Tank 3
Figure E



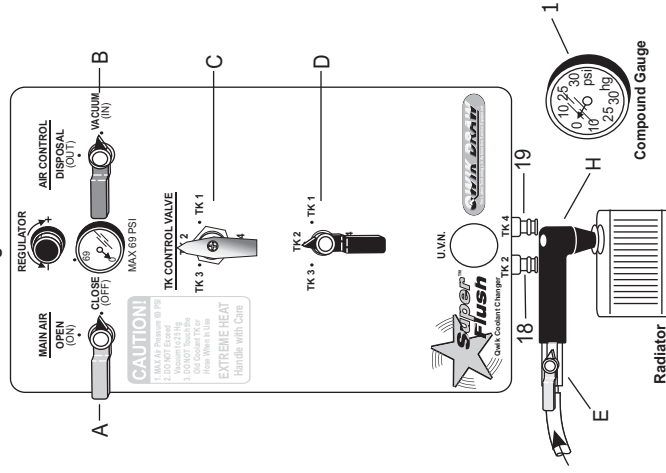
Vacuum Old Coolant from Radiator
Figure C



Discharge Flushed Coolant to Waste Container
Figure G



Release Water & Cleaning Agent to Radiator
Figure D



Discharge Old Coolant to Waste Container
Figure H

